

DWG. NO. SD-55456-004

F

D

V

C

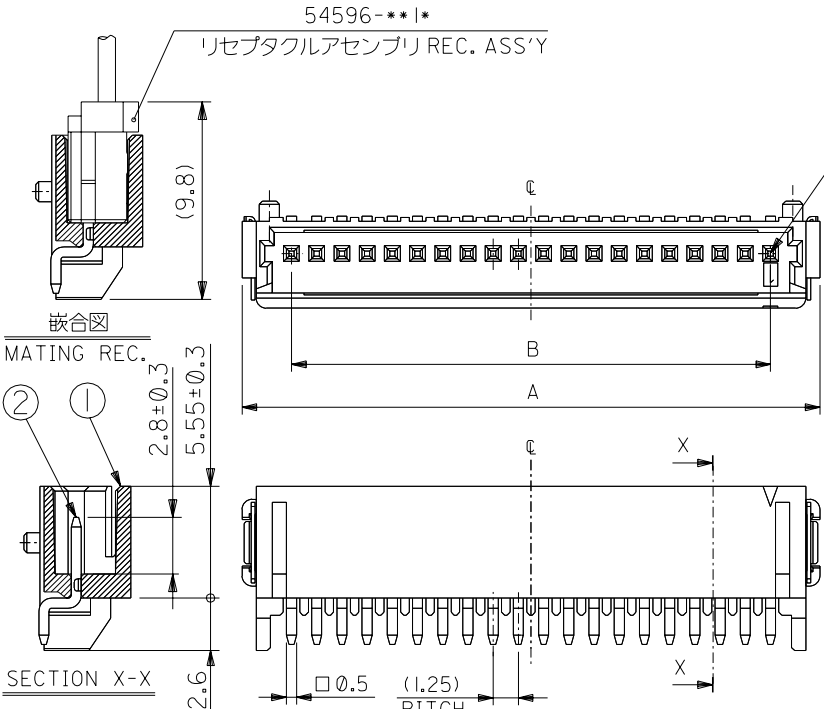
B

DO NOT SCALE DRAWING

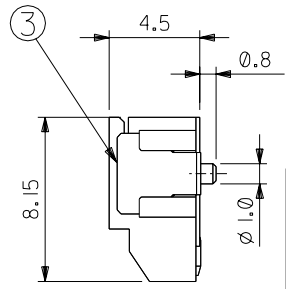
8 7 6 5 4 3 2 1

番号 NO.	名称 NAME	材料 MATERIAL	数量 QTY	仕上げ FINISH
①	ウエハー WAFER	ナイロン NYLON	1	UL94V-0 色:原色 COLOR:NATURAL
②	ピン PIN	黄銅 BRASS	N	全体錫メッキ PRE-TINNED
③	ネール NAIL	黄銅 BRASS	2	半田メッキ Sn-Pb PLATING

ボス無しタイプ WITHOUT BOSS	ボス有りタイプ WITH BOSS
55456-***3	55456-***1



IST CIRCUIT



D	C	B	A	MATERIAL NO.	MODEL NO.	MATERIAL NO.	MODEL NO.
27.25	25.95	23.75	28.65	55456-2030		55456-2010	
26	24.7	22.5	27.4	-1930		-1910	
24.75	23.45	21.25	26.15	-1830		-1810	
23.5	22.2	20	24.9	-1730		-1710	
22.25	20.95	18.75	23.65	-1630		-1610	
21	19.7	17.5	22.4	-1530		-1510	
19.75	18.45	16.25	21.15	-1430		-1410	
18.5	17.2	15	19.9	-1330		-1310	
17.25	15.95	13.75	18.65	-1230		-1210	
16	14.7	12.5	17.4	-1130	ボス無しタイプ WITHOUT BOSS	-1110	ボス有りタイプ WITH BOSS
14.75	13.45	11.25	16.15	-1030	55456-***3	-1010	55456-***1
13.5	12.2	10	14.9	-0930		-0910	
12.25	10.95	8.75	13.65	-0830		-0810	
11	9.7	7.5	12.4	-0730		-0710	
9.75	8.45	6.25	11.15	-0630		-0610	
8.5	7.2	5	9.9	-0530		-0510	
7.25	5.95	3.75	8.65	-0430		-0410	
6	4.7	2.5	7.4	-0330		-0310	
4.75	3.45	1.25	6.15	55456-0230		55456-0210	

注記 NOTES

- 材料及び仕上げ:表参照 MATERIAL AND FINISH:SEE CHART
- エンボス梱包品の詳細は、SD-55456-005 を参照の事。 DETAILED TAPING PACKAGE,SEE SD-55456-005

製品番号

MATERIAL NO.

55456-\*\*\*\*

極数 CIRCUIT SIZE (02~20)

ボス BOSS 1: 有り WITH BOSS

3: 無し WITHOUT BOSS

色 COLOR 0: 自然色 NATURAL

EC NO.	DRWN:	CHK:	APPR:	REV	DESCRIPTION	MATERIAL 材料	FINISH 仕上げ	WIRE RANGE 適用線径範囲	INS. RANGE 被覆外径
				B	REVISED J2002-2587 ALIDA '02/04/12 M:YAGI YO:ITO	SEE CHART	SEE CHART		
				A	REVISED J2000-I-1052 DRWN:M.ISOGAYA '01/02/26 CH'K: M.YAGI/SCHIKAWA APPR: H.IKESUGI	SEE CHART	SEE CHART		
				0	RELEASED J2000-1414 DRWN: M.ISOGAYA CH'K: M.YAGI/SCHIKAWA APPR: H.IKESUGI	SEE CHART	SEE CHART		

GENERAL TOLERANCES: (UNLESS SPECIFIED) 一般公差		SCALE 4-1	DESIGN UNITS <input checked="" type="checkbox"/> mm <input type="checkbox"/> INCH	THIRD ANGLE PROJECTION <input checked="" type="checkbox"/> mm <input type="checkbox"/> INCH
10 UNDER 未満	±0.2			
10 OVER 30 UNDER 未満	±0.25			
30 OVER 以上	±0.3			
ANGLE 角度	±3°			

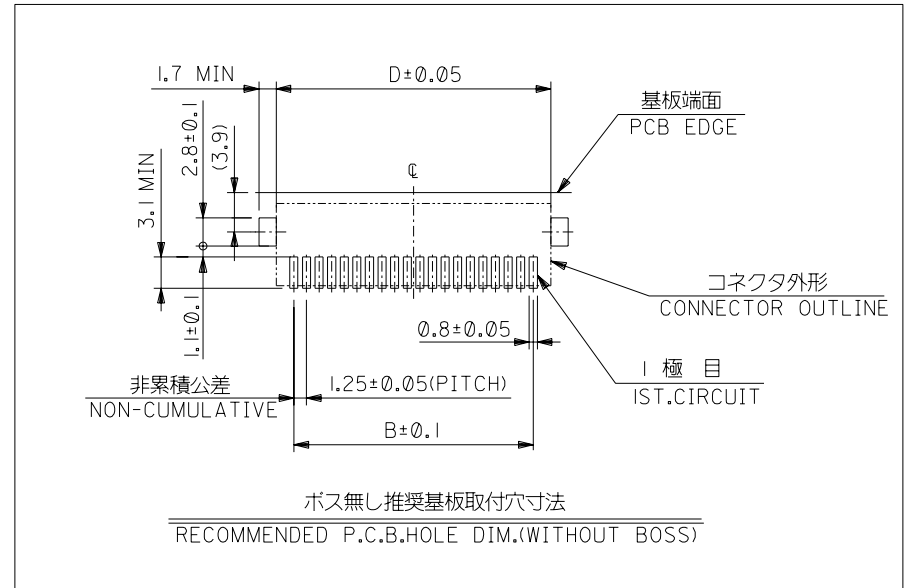
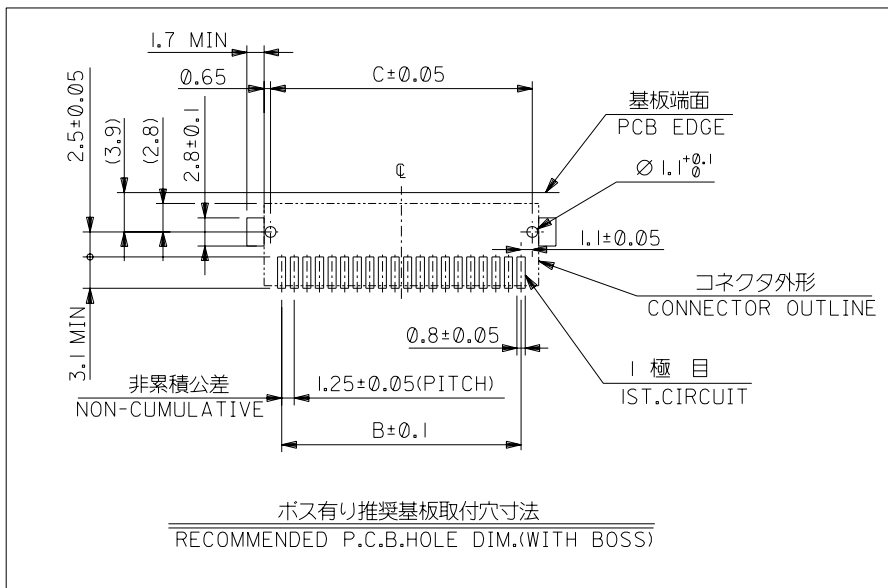
DRAWN BY & DATE	CHECKED BY & DATE	APPROVED BY & DATE	CAD FILENAME
M.ISOGAYA '00/06/27	G. Yagi / S. Ichikawa	H. Ikegami	55456004.S01

DIMENSIONS: <input type="checkbox"/> mm <input type="checkbox"/> INCH		SHT	REV
<input type="checkbox"/> mm <input type="checkbox"/> INCH	<input checked="" type="checkbox"/> mm ONLY		REVISE ON CAD ONLY
TITLE: Mini MiII I-ROW R/A SMT ASS'Y			
MOLEX MOLEX INCORPORATED			
MATERIAL NO. SEE CHART	DRAWING NO. SD-55456-004	SHEET NO. 1 OF 2	
THIS DRAWING CONTAINS INFORMATION THAT IS PROPRIETARY TO MOLEX INCORPORATED AND SHOULD NOT BE USED WITHOUT WRITTEN PERMISSION.			
			SIZE B

55456004.S01

DWG. NO. SD-55456-004

8 7 6 5 4 3 2 1



DO NOT SCALE DRAWING

EC NO. DRAWN: CHK'g: APPR:	EC NO. DRAWN: CHK'g: APPR:	EC NO. DRAWN: CHK'g: APPR:	EC NO. DRAWN: CHK'g: APPR:	EC NO. DRAWN: CHK'g: APPR:
SEE SHEET 1 OF 2	SEE SHEET 1 OF 2	SEE SHEET 1 OF 2	SEE SHEET 1 OF 2	SEE SHEET 1 OF 2
B	A	0		

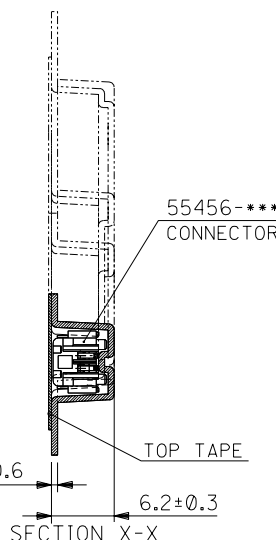
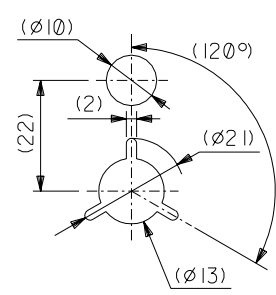
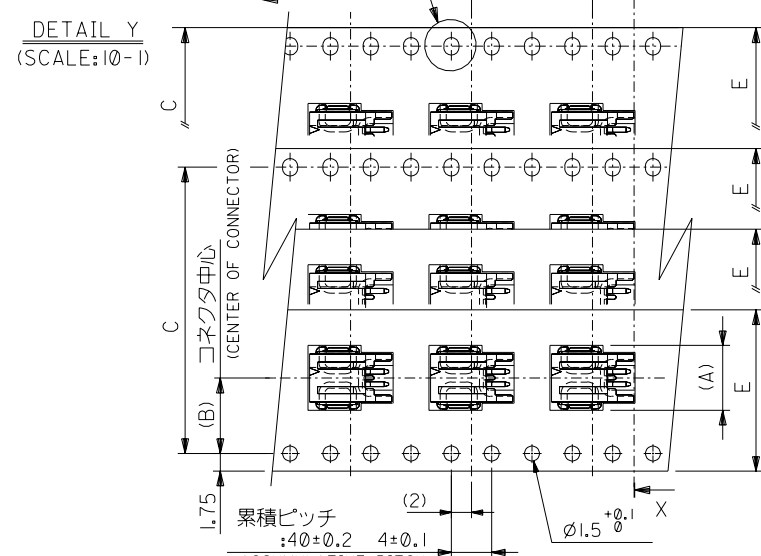
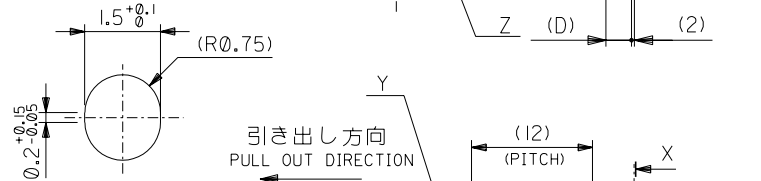
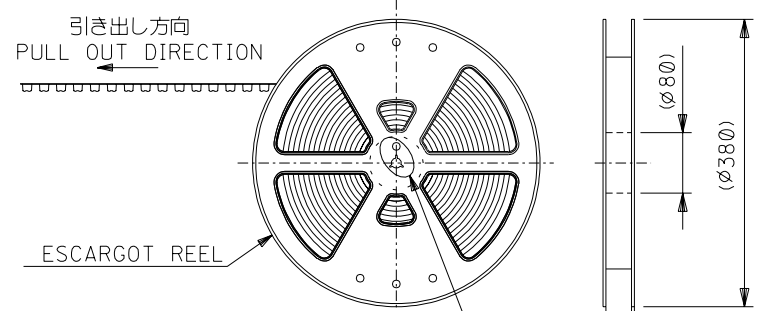
DESCRIPTION	MATERIAL 材料
	SEE SHEET 1 OF 2
	FINISH 仕上げ
	SEE SHEET 1 OF 2
	WIRE RANGE 適用電線範囲
	—
	INS. RANGE 被覆外径
	—

GENERAL TOLERANCES: (UNLESS SPECIFIED) 一般公差	SCALE 4-1	DESIGN UNITS mm INCH
10 UNDER 未満	±0.2	DRAWN BY & DATE M.ISOGAYA '00/06/27
10 OVER 以上	±0.25	CHECKED BY & DATE H. Maki / S. Ichikawa.
30 UNDER 未満	±0.3	APPROVED BY & DATE H. Maki
30 OVER 以上	±0.3	CAD FILENAME 55456004.S02
ANGLE 角度	±3°	

DIMENSIONS: <input type="checkbox"/> mm <input type="checkbox"/> INCH <input checked="" type="checkbox"/> mm ONLY	SHT REVISE ON CAD ONLY	THIRD ANGLE PROJECTION	TITLE: Mini MiII I-ROW R/A SMT ASS'Y
MOLEX INCORPORATED			
CAD FILENAME 55456004.S02	MATERIAL NO. SEE CHART	DRAWING NO. SD-55456-004	SHEET NO. 2
THIS DRAWING CONTAINS INFORMATION THAT IS PROPRIETARY TO MOLEX INCORPORATED AND SHOULD NOT BE USED WITHOUT WRITTEN PERMISSION.			SIZE B

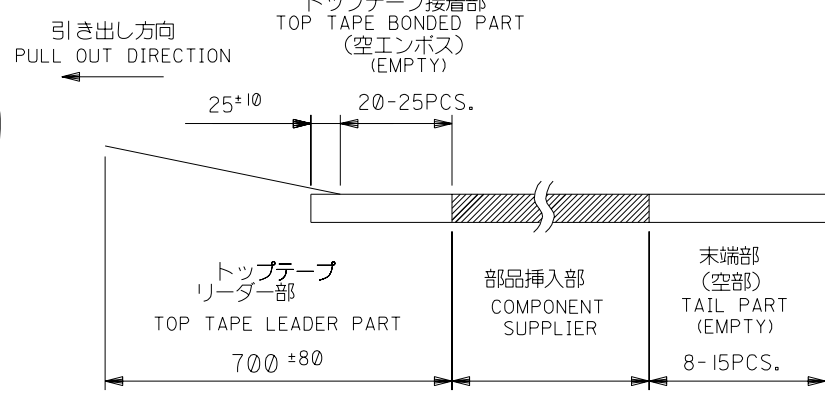
A 55456004.S02

DWG. NO. SD-55456-005

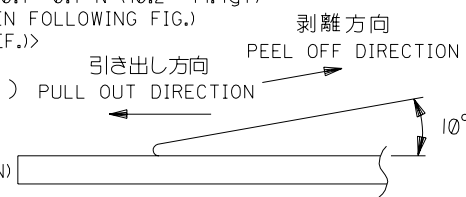


注記 NOTES

- 製品番号 55456-\*\*\*\* の詳細寸法については、SD-55456-004 を参照下さい。  
IN THE PACKAGE, PART NO. 55456-\*\*\*\* DETAILED DIMENSION, SEE SD-55456-004
- 梱包数量：1250個/リール  
NUMBER OF CONNECTORS: 1250 PCS/REEL
- リードテープ長さ  
LEAD TAPE LENGTH



- トップテープの剥離強度：0.1 ~ 0.7 N (10.2 ~ 71.4gf)  
(剥離方向は下図参照)  
剥離速度：300mm/min (参考)  
PEEL-OFF FORCE OF TOP TAPE: 0.1 ~ 0.7 N (10.2 ~ 71.4gf)  
(PEELING DIRECTION AS SHOWN IN FOLLOWING FIG.)  
<PEEL-OFF SPEED: 300mm/min (REF.)>  
尚、本規格値は、出荷時に適用。  
(但し、輸送時に剥離が発生しない事。) PULL OUT DIRECTION  
THIS REQUIREMENT SHOULD BE APPLIED AT SHIPMENT  
(PEEL OFF SHOULD NOT BE ALLOWED, DURING TRANSPORTATION)



- 材料 MATERIAL  
キャリアテープ：ポリプロピレン  
CARRIER TAPE: POLYPROPYLENE  
トップテープ：PET, PE, PP  
TOP TAPE: PET, PE, PEF  
リール：ポリスチレン  
REEL: POLYSTYRENE

DO NOT SCALE DRAWING

EC NO. DRAWN: CHK'g: APPR:	EC NO. DRAWN: CHK'g: APPR:	REVISED EC NO. J2002-2587 DRAWN: A.IDA '02/04/12 CHK'g: M.YAGI APPR: YO.ITO	REVISED EC NO. JD2001-1071 DRAWN: A.IDA '01/02/13 CHK'g: M.YAGI/SCHIKAWA APPR: H.IKESUGI	RELEASED EC NO. JD2000-1414 DRAWN: M.ISOGAYA CHK'g: M.YAGI/SCHIKAWA APPR: H.IKESUGI	DESCRIPTION 注記参照 SEE NOTES	MATERIAL 材料	FINISH 仕上げ	WIRE RANGE 適用層線範囲	INS. RANGE 被覆外径
-------------------------------------	-------------------------------------	---	--	---	----------------------------------	----------------	---------------	----------------------	--------------------

GENERAL TOLERANCES: (UNLESS SPECIFIED) 一般公差	SCALE 2-1	DESIGN UNITS mm □ INCH	THIRD ANGLE PROJECTION	DIMENSIONS: □ mm □ INCH □ mm □ INCH	SHT	REV
10 UNDER 未満	±0.2	DRAWN BY & DATE M.ISOGAYA '00/06/27	◎	mm ONLY		REVISION ON CAD ONLY
10 OVER 以上	30 UNDER 未満	±0.25	TITLE: 55456-**** TAPING PACKAGE			
30 OVER 以上	±0.3	CHECKED BY & DATE M. Yagi / S. Schikawa				
ANGLE 角度	±3°	APPROVED BY & DATE M. Yagi / S. Schikawa	MOLEX			
		CAD FILENAME 55456005.S01	MATERIAL NO. SEE CHART	DRAWING NO. SD-55456-005	SHEET NO. 1 OF 2	SIZE B

THIS DRAWING CONTAINS INFORMATION THAT IS PROPRIETARY TO MOLEX INCORPORATED AND SHOULD NOT BE USED WITHOUT WRITTEN PERMISSION.

DWG. NO. SD-55456-005

8 7 6 5 4 3 2 1

F

D

V

C

B

DO NOT SCALE DRAWING

44	45.5	40.4	20.2	28.95	55456-2030	55456-2039	55456-***39 ボス無し WITHOUT BOSS	55456-2010	55456-2019	55456-***19 ボス有り WITH BOSS	20	N O
				27.7	-1930	-1939		-1910	-1919		19	N O
				26.45	-1830	-1839		-1810	-1819		18	N O
				25.2	-1730	-1739		-1710	-1719		17	N O
				23.95	-1630	-1639		-1610	-1619		16	N O
				22.7	-1530	-1539		-1510	-1519		15	N O
				21.45	-1430	-1439		-1410	-1419		14	N O
32	33.5	28.4	14.2	20.2	-1330	-1339	-1310	-1319	13	N O		
				18.95	-1230	-1239	-1210	-1219	12	N O		
				17.7	-1130	-1139	-1110	-1119	11	N O		
				16.45	-1030	-1039	-1010	-1019	10	N O		
24	25.5	—	11.5	15.2	-0930	-0939	-0910	-0919	9	N O		
				13.95	-0830	-0839	-0810	-0819	8	N O		
				12.7	-0730	-0739	-0710	-0719	7	N O		
				11.45	-0630	-0639	-0610	-0619	6	N O		
				10.2	-0530	-0539	-0510	-0519	5	O K		
16	17.5	—	7.5	8.95	-0430	-0439	-0410	-0419	4	O K		
				7.7	-0330	-0339	-0310	-0319	3	N O		
				6.45	55456-0230	55456-0239	55456-0210	55456-0219	2	N O		
キャリアテープ幅 TAPE WIDTH	(D)	(C)	(B)	(A)	CONNECTOR	エンボス梱包品 製品番号 MATERIAL NO.	MODEL NO.	CONNECTOR	エンボス梱包品 製品番号 MATERIAL NO.	MODEL NO.	極数 CIRCUIT SIZE	量産対応 AVAILABLE

EC NO. DRWN: CHK: APPR:	EC NO. DRWN: CHK: APPR:	SEE SHEET 1 OF 2 EC NO. DRWN: CHK: APPR:	SEE SHEET 1 OF 2 EC NO. DRWN: CHK: APPR:	SEE SHEET 1 OF 2 EC NO. DRWN: CHK: APPR:	DESCRIPTION MATERIAL 材料 注記参照 SEE NOTES	GENERAL TOLERANCES: (UNLESS SPECIFIED) 一般公差	SCALE 2-1	DESIGN UNITS <input checked="" type="checkbox"/> mm <input type="checkbox"/> INCH	THIRD ANGLE PROJECTION	DIMENSIONS: <input type="checkbox"/> mm <input type="checkbox"/> INCH <input checked="" type="checkbox"/> mm ONLY	SHT	REV
		B	A	0	FINISH 仕上げ —	10 UNDER 未満	±0.2	DRAWN BY & DATE M.ISOGAYA	TITLE: 55456-**** TAPING PACKAGE			
					WIRE RANGE 適用電線範囲 —	10 OVER 30 UNDER 以上 未満	±0.25	CHECKED BY & DATE M. Nogi / S. Ichikawa				
					INS. RANGE 被覆外径 —	30 OVER 以上	±0.3	APPROVED BY & DATE A. Hasegawa	MOLEX INCORPORATED			
						ANGLE 角度	±3°	CAD FILENAME 55456005.S02	MATERIAL NO. SEE CHART	DRWG. NO. SD-55456-005	SHEET NO. 2	
THIS DRAWING CONTAINS INFORMATION THAT IS PROPRIETARY TO MOLEX INCORPORATED AND SHOULD NOT BE USED WITHOUT WRITTEN PERMISSION.										SIZE B		

8 7 6 5 4 3 2 1 EN-02J(097) MXJ-54

F

E

D

C

B

A

55456005.S02

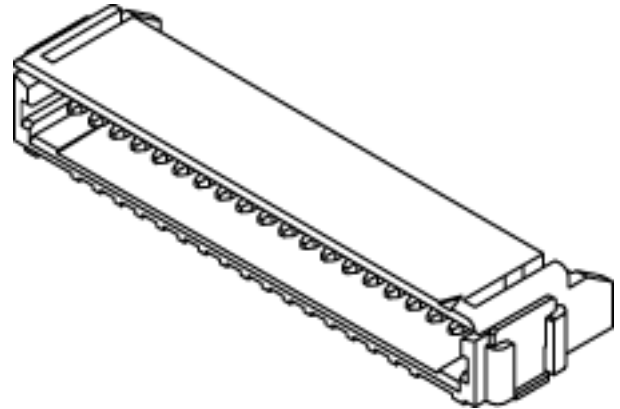
**Datasheet**  
**PCB Headers**

**1.25mm (.049") Pitch Mini MiII™ System Wire-to-Board Header, Single Row, Right Angle, SMT**  
**55456**

[ [Home](#) > [Products](#) > [PCB Headers](#) > Datasheet ]

[Help](#)

<a href="#">Status</a>	Active
<a href="#">Promotable</a>	Yes
<a href="#">Access Level</a>	Internet
<a href="#">Pitch / Center Spacing</a>	1.25mm (.049")
<a href="#">Circuits / Positions</a>	5
<a href="#">Mates With</a>	54596
<a href="#">Rows</a>	1
<a href="#">Designed In</a>	Millimeters
<a href="#">Temperature Range</a>	-40°C to +105°C
<a href="#">Plating Contact</a>	Tin (Sn)
<a href="#">Plating PC Tail</a>	Tin (Sn)
<a href="#">Durability [mating cycles]</a>	30
<a href="#">Current-max [amps]</a>	1.5A
<a href="#">Voltage-max [volts]</a>	100V
<a href="#">Contact Resistance [ohms]</a>	20 milliohms max.
<a href="#">Withstanding Voltage</a>	500V AC/1 min.
<a href="#">Insulation Resistance [ohms]</a>	1000 Megohms min.
Contact Retention Force-min. (per circuit)	6.8N (1.53 lb)
<a href="#">Shrouded</a>	Yes
<a href="#">Breakaway</a>	No
Pin Header	No
<a href="#">Stackable</a>	No
<a href="#">Orientation</a>	Right Angle
<a href="#">PCB Mounting</a>	Surface Mount
<a href="#">PCB Locator</a>	Yes



**Features and Benefits**

- Sizes 5 circuits
- Friction lock provides secure mating
- Metal solder tabs provide PCB hold-down and strain relief for SMT tails
- Polarized inner side-walls ensure correct mating orientation
- Extended outer side-walls protect solder tails
- Polarizing pegs assist board placement

<a href="#">Polarized to PCB</a>	<b>Yes</b>
<a href="#">PCB Retention</a>	<b>Solder Tab</b>
<a href="#">Staggered Tails</a>	<b>No</b>
<a href="#">Packaging</a>	<b>Embossed Tape on Reel</b>
<a href="#">Housing Material</a>	<b>Polymer, High Temperature</b>
<a href="#">Flammability</a>	<b>UL 94V-0</b>
Contact	<b>Brass (CuZn)</b>
<a href="#">Product Specification</a>	<b>PS-54596-006</b>
<a href="#">Product Name</a>	<b>Mini Mi II™</b>
<a href="#">Molex Series</a>	<b>55456</b>

[E-mail this page to a friend](#)

[ © Copyright 2002 Molex Incorporated ]